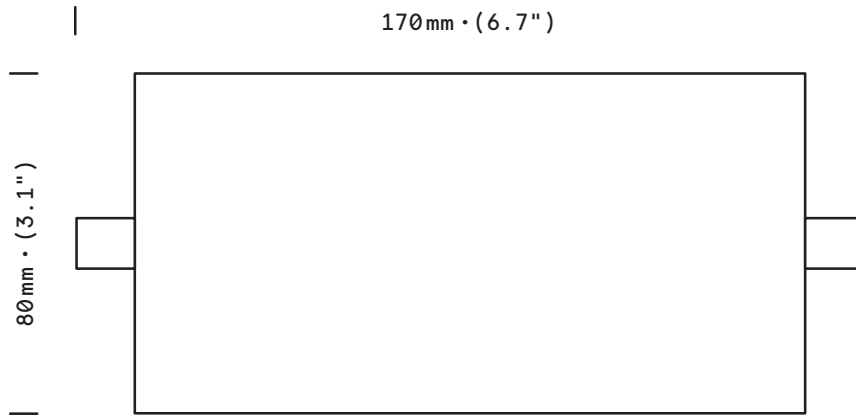


Rectangle

15

**finish option**

epoxy black or white /
satin brass

weight

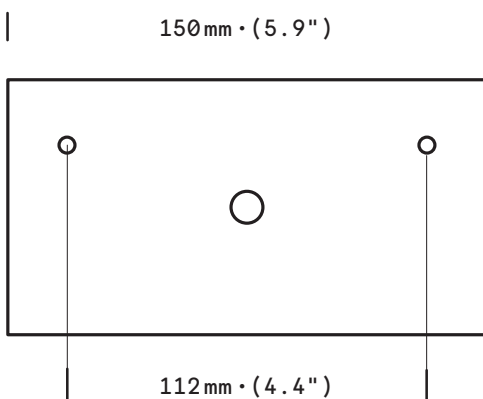
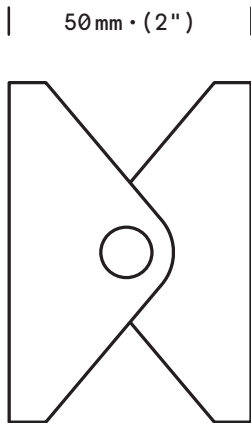
0,3 kg • (0.7 lb)

bulb (included)

240V. G9 - 40W.
2700k

certification

IP20
Class II
CE

**Dimensions
fixation murale**