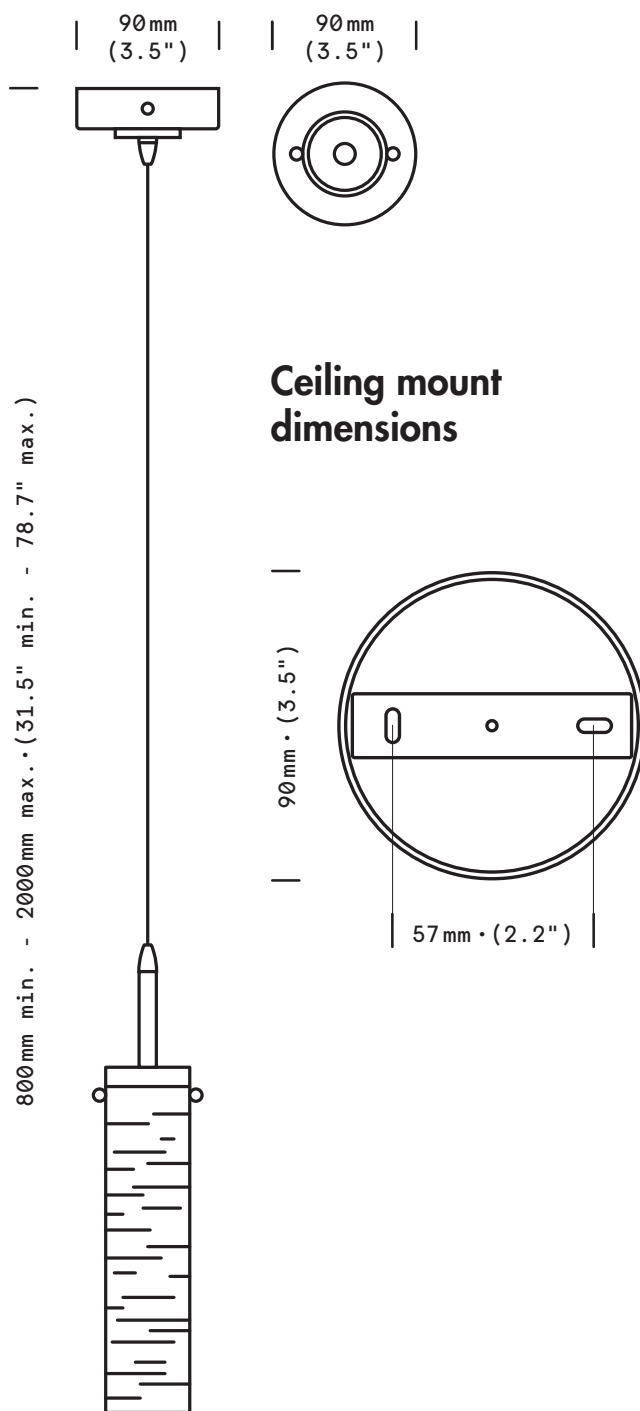


Oscar

Pendant



finish option

epoxy black / satin brass

shade

opal mat glass

weight

1 kg • (2.2 lb)

bulb (included)

GU 10 led - 7,2 W
dimnable 2700 K

certification

IP20
Class II
CE