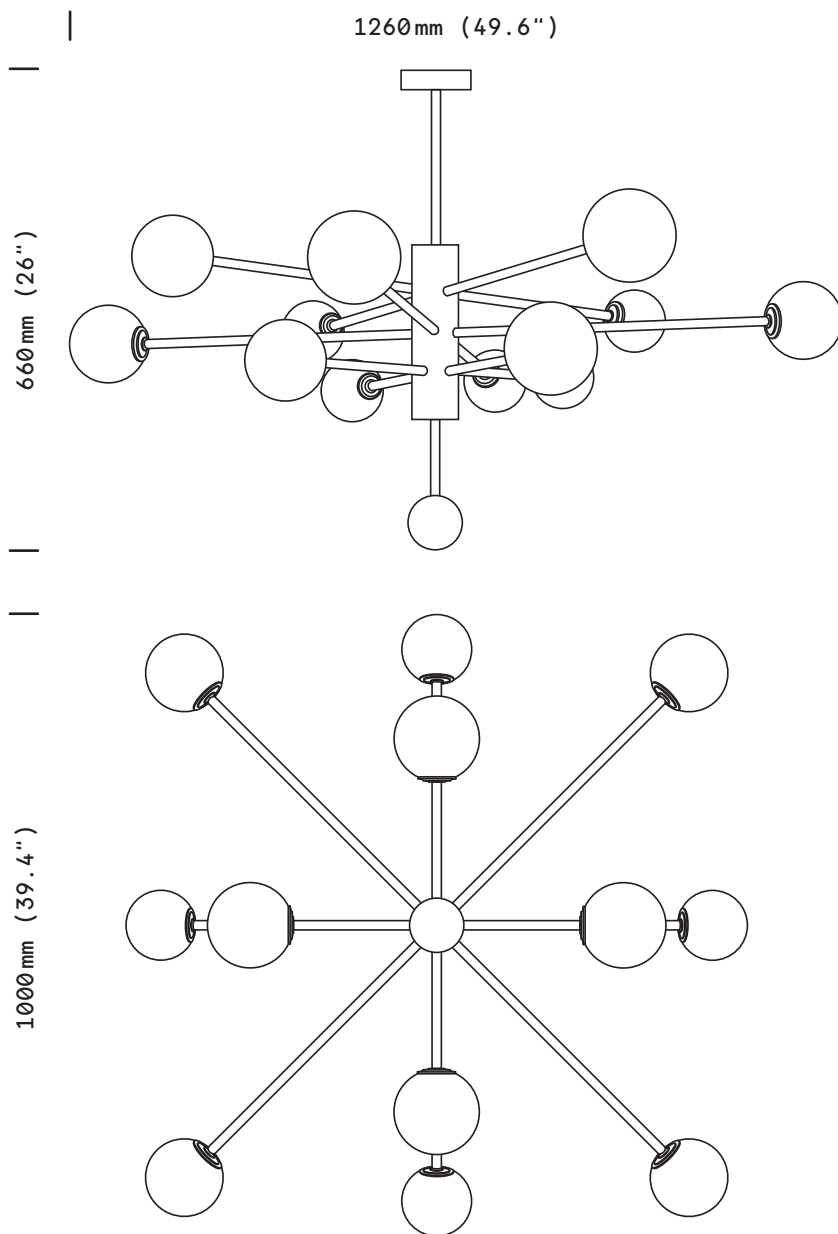


# Charlotte

# Pendant



## finish option

epoxy black  
satin brass

## weight

6 kg (13.2 lb)

## shade

glass triplex  $\varnothing$  120 mm  
opal mat white

## bulb (included)

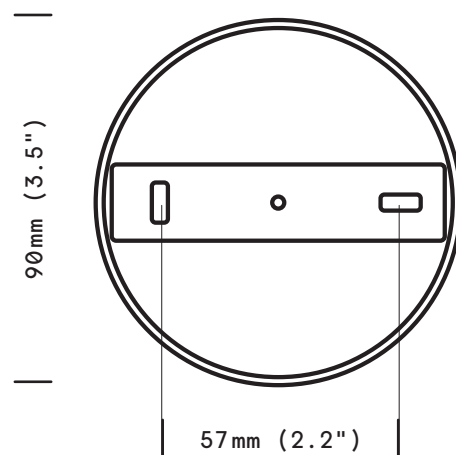
240V. G9 Halogen  
40W x 12 / 2700k  
dimmable

## certification

IP20  
Class II



## Ceiling mount dimensions



DANIEL GALLO  
PARIS