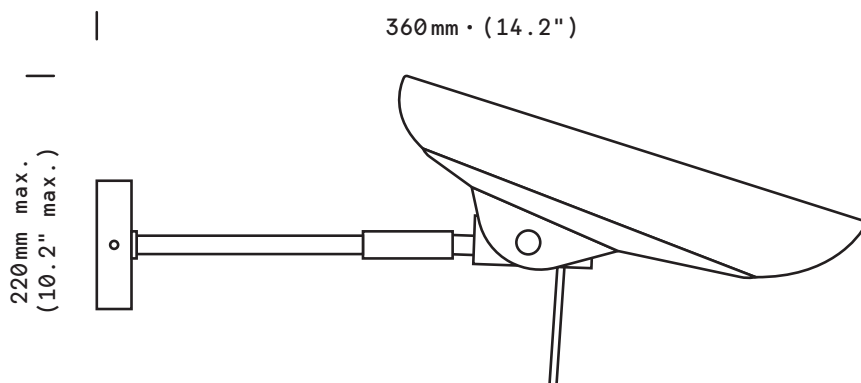
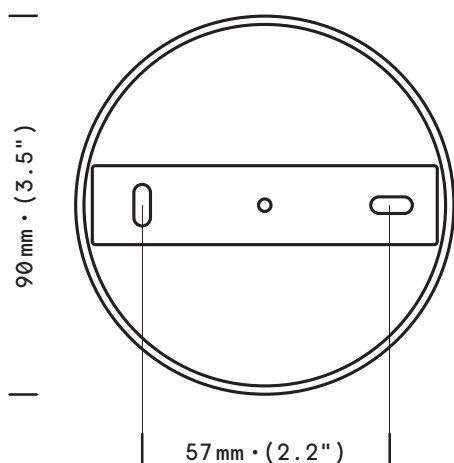
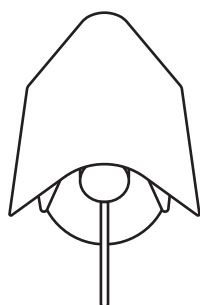


Bird

Wall



110 mm • (4.3")



Wall mount dimensions

finish option

epoxy black / satin brass

weight

0,65 kg • (1.4 lb)

bulb (included)

240V. G9 - 40W.
2700k

certification

IP20
Class II
CE